

8

7

6

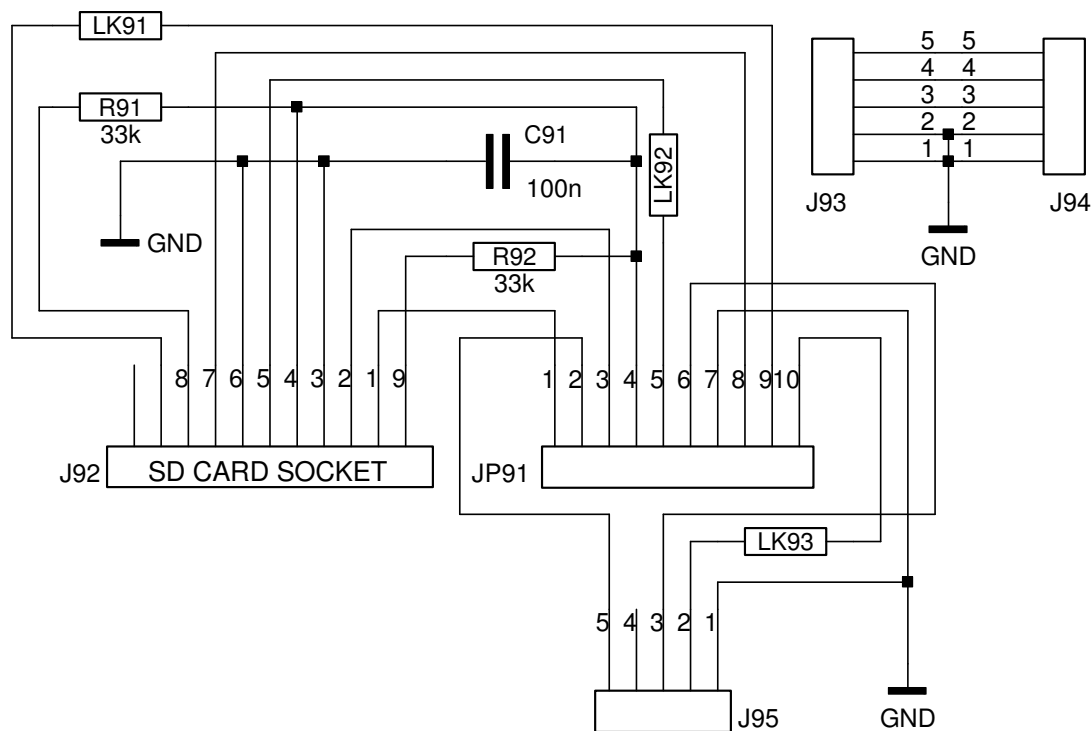
5

4

3

2

1



DIGILITE SD CARD ADAPTER

DTS1010 BUILD A3 15 JULY 2012

NOTE THE UNUSUAL NUMBERING OF THE SD CARD SOCKET

RESISTORS ARE 33K NOMINAL, BUT CAN BE 22K-68K

J95 IS THE PIC PROGRAMMING CONNECTOR, IF REQUIRED

J93 AND J94 ARE JOINING POINTS FOR A USB CABLE, IF REQUIRED

GND IS PROVIDED BY JP91 PIN 7

G4EWJ@MEM.BATC.ORG.UK

8

7

6

5

4

3

2

1